

TABLE OF CONTENTS

	Page
Theory of Operation	
General	1
Power Supply	3
Clock Generator	4
MOS Chip Set	6
Keyboard	7
Digit Drivers	9
Magnetic Read/Write Mechanism (TI-59 only)	11
Printer Interface Description	
Interface Overview	15
Detailed Timing	19
Modifications	23
Troubleshoot & Repair	
MOS Handling Procedures	25
Calculator Function Test	26
Test Equipment	27
Disassembly/Assembly	28-29
Common Troubles	30-43
Scope Photos	44-46
Board Layouts	47-49
Schematic Diagram	50
TI-58 & 59 Bill of Materials	51-62

LIST OF ILLUSTRATIONS

			PAGE
FIGURE	1	Calculator Block Diagram	2
	2	Clock Generator Circuits	5
	3	Keyboard Matrix	8
	4	Display Configuration	10
	5	Magnetic Card I/O Circuit	12
	6	Card Sense Circuit	14
	7	Printer Interface Connector	16
	8	Identification Code Cycle Timing Diagram	17
	9	Printer Instruction Codes	18
	10A	Function Codes	21
	10B	Character Codes	22
11	Card Reader Wire Routing	29	
SCOPE PHOTO	A	(Non Calc) Segment Line Output	44
	B	I/O Line	44
	C	(Non Calc) K-line	44
	C'	(Calculating) K-line	44
	D	IRG	44
	E	IDLE (Low-Calc. in display mode)	44
	F	EXT	45
	G	Clock in IDLE mode (Display)	45
	G'	Clock in High Speed mode (Calculate)	45
	H	Timing Relationship of 0 1 and 0 2	45
	I	(Normal) KR-Line	45
	J	Resonator Output	45
	K	(Non Calc) D-Line Pulse	46
	L	(Writing) 594 Output	46
M	Op Amp Output	46	
N	Digit Driver Output	46	
BOARD LAYOUT	1	Dash 1, 2, 3 boards	47
	2	Dash 4, 5, 6 boards	48
	3	Dash 7 boards	49
SCHEMATIC			50

THEORY OF OPERATION

GENERAL

The construction of the TI-58 and TI-59 is identical except for the obvious lack of a magnetic I/O system in the TI-58. The TI-59 also has two more 598 chips than the TI-58. The remaining circuitry and components are identical for the two calculators.

Figure 1 shows the major functional blocks of the calculators. The following description provides an overview of the functions of each block. Detailed operation is provided where feasible for the purpose of troubleshooting assistance. However, specific calculation-event timing between each MOS chip is not provided in this manual.

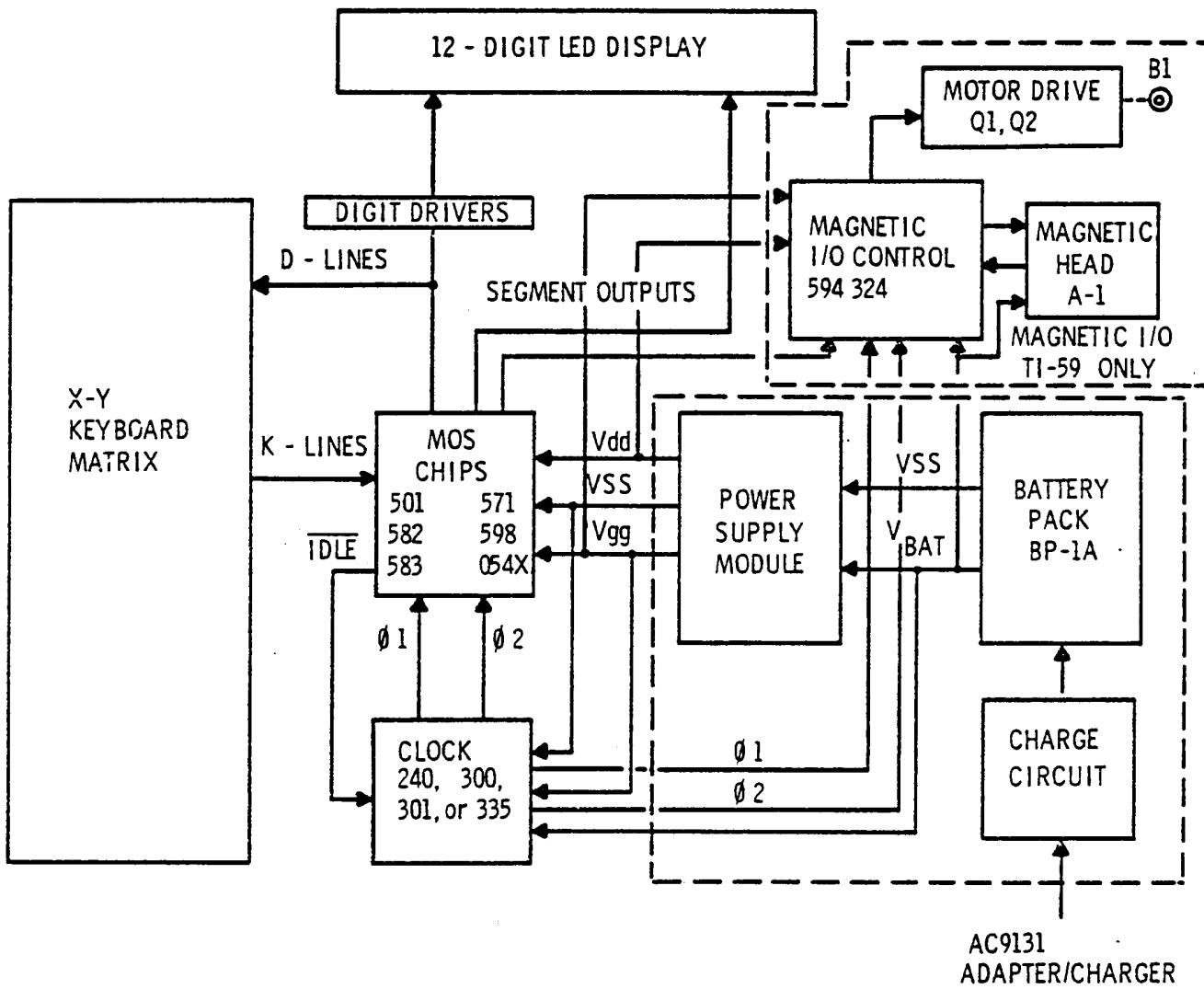


Figure 1. Calculator Block Diagram

POWER SUPPLY

The calculator uses a power supply module to convert the battery voltage to the necessary operating voltages of the calculator. It provides a regulated Vdd and Vgg to the MOS chips and the clock system.

The worse case voltage limits are as follows:

<u>Parameter</u>	MIN (Volts)	MAX (Volts)
Vss (SYSTEM GROUND)	0	0
-V Batt	-3.3	-4.5
Vdd	-9.5	-10.5
Vgg	-15.3	-16.3

The worse case output load sink currents are as follows:

	<u>MAXIMUM</u>	<u>MINIMUM</u>
Idd	40 (milliamps)*	10 (milliamps)
Igg	18	10

*Except during a write operation

Under full load, the ripple on Vdd and Vgg is less than or equal to 200 millivolts peak-to-peak and the rise time is less than or equal to 10 milliseconds (when measured from 0% to 90% of final value).

The batteries are charged by an AC charger and charging circuit. The charging circuit consists of full-wave bridge CR1 through CR4, battery pack BP-1A, and R1. The full-wave bridge converts the AC voltage supplied by the AC9131 charger to DC. Resistor R1 limits the charge current through the batteries (BP-1A) when the calculator is turned off to approximately 150mA. R1 is shorted by the ON/OFF switch when the calculator is on, so the charge current will be the same whether the calculator is on or off. The BP-1A should always be in place when the charger is plugged in because it acts as the rectifier filter.

NOTE: The charging circuit can't supply enough power to the calculator to permit writing or reading.

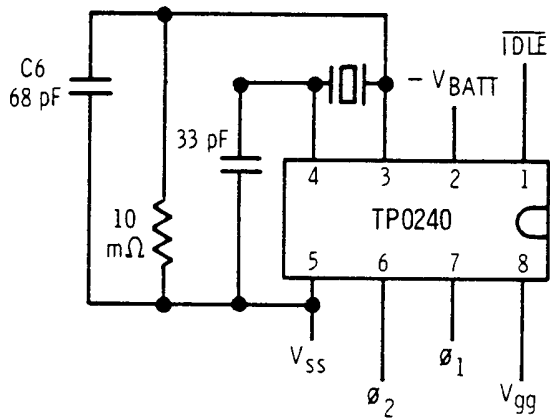
CLOCK GENERATOR

The two-phase clock required to drive the MOS circuitry is generated by U11, a CMOS integrated circuit. The ceramic resonator Z1 resonates at a frequency of 455 KHz \pm 1%, which establishes a stable frequency source for the clock circuit. U11 divides the 455 kHz by two to produce a 227.5 kHz \pm 1% two-phase clock with a 20% "active" time (The TI-58 can use a 384KHz resonator which is the preferred part.)

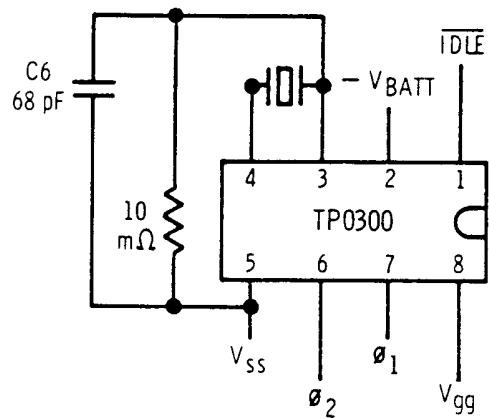
To conserve power, the clock frequency is divided by 4 to produce 57 kHz during non-calculating periods thus reducing "active" time to 5%. A high-speed clock (calculator calculating) is obtained when the $\overline{\text{IDLE}}$ line from any MOS chip is sensed to be high by the CMOS clock. If the clock speed is low, it will switch to high two clock pulses after the $\overline{\text{IDLE}}$ line goes high. A low-speed clock (calculator not calculating) occurs when the $\overline{\text{IDLE}}$ lines from all MOS chips are sensed to be low by the CMOS clock. If the clock speed is high it will switch to low two clock pulses after the $\overline{\text{IDLE}}$ line goes low.

	<u>Min.</u>	<u>Max.</u>
High speed =	225.2 kHz	229.8 kHz
Low speed =	56.3 kHz	57.5 kHz

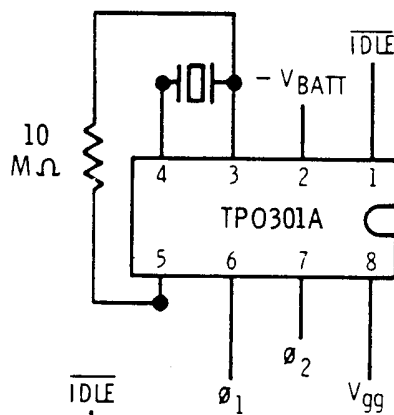
Please note that there are presently four different clock chips which will function in the calculator: TP0240, TP0300, TP0301, TP0301A, and TP0335, as indicated by Figure 2a through 2d. If it is necessary to change the clock chip, the TP0335 is the preferred replacement chip. BE SURE TO CHANGE COMPONENTS AND HOOKUP APPROPRIATE TO THE CHIP INSTALLED.



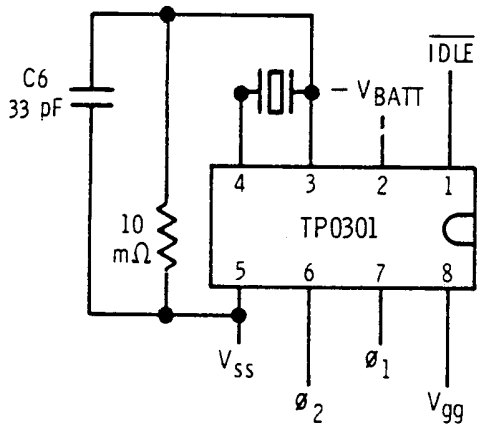
(a)



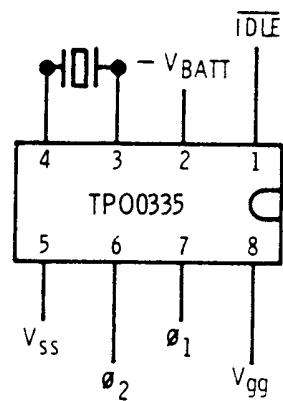
(b)



(e)



(c)



(d)

Figure 2. Clock Generator Circuits

MOS CHIP SET

The MOS chip set consists of seven MOS devices. They are:

ARITHMETIC LOGIC CHIP (TMC0501ES)

DSCOM's (TMC0582/0583) - Double Scanning Read-Only Memories

BROM (TMC0571) - Bare Read Only Memory

MULTI-REGISTER CHIPS (TMC0598) (Two in TI-58 or four in TI-59)

CROM (TMC0541) Constant Read Only Memory (Library Module)

MAGNETIC I/O CHIP (TMC0594 / LM324--not a MOS device)

Arithmetic Logic Chip (TMC0501ES)

The arithmetic logic chip, U1, performs the required mathematical operations using instructions from the DSCOM's and BROM. The I/O, IRG, IDLE, and EXT lines are the communication links between these units. The arithmetic logic chip also monitors the "K" lines from the keyboard to see which "K" + "D" lines are shorted by a keypush. It also drives the display segments SA thru SH, and DPT lines.

DSCOM's (TMC0582/0583)

The DSCOM's (U2 & U3) each consists of a 2500 word ROM used to store necessary functions used by the arithmetic logic chip. The DSCOM's also create the display digit select signals (D-lines) and contain a special ROM which stores constants used in logarithmic and trigonometric functions.

BROM (TMC0571)

The BROM (U4) provides a ROM extension of 1024 words for the DSCOM and uses the IRG, IDLE, and EXT lines to communicate with the DSCOM's and arithmetic logic chip. It also controls partitioning and printer alpha/numeric functions.

Multi-Register Chips (TMC0598)

The multi-register chips (U5 & U6 for the TI-58, also U7 & U8 for the TI-59) provide program storage and user memory storage. Each chip stores 1920 bits of data which can be 30 Data registers or 240 program steps.

CROM (TMC0541)

The CROM consists of 5000 program steps preprogrammed (masked) on the chip. The IRG, IDLE and EXT lines are the communication lines. The CROM is contained in the library module which may be interchanged with other modules.

Magnetic I/O Chip (TMC0594) TI-59 Only

The Magnetic I/O chip (U9) provides the interface between the four-track magnetic card read/write mechanism and the arithmetic logic chip. Communications between the Magnetic I/O chip and arithmetic logic are carried on the IDLE, EXT, and IRG signal lines. The Magnetic I/O chip also conditions the signals to and from the magnetic card read/write mechanisms (e.g., motor, CSI, & CH1-4) to make them compatible with MOS logic levels.

KEYBOARD

The keyboard consists of a plastic board with metallic discs serving as switches to connect one of the D-line outputs from the 582 MOS chip to one of the K-Line inputs to the 501 ALU chip. The schematic of the keyboard matrix is as shown in Figure 3.

Numbers 1-14 refer to actual pin out of keyboard.
(left to right when keyboard is facing out)

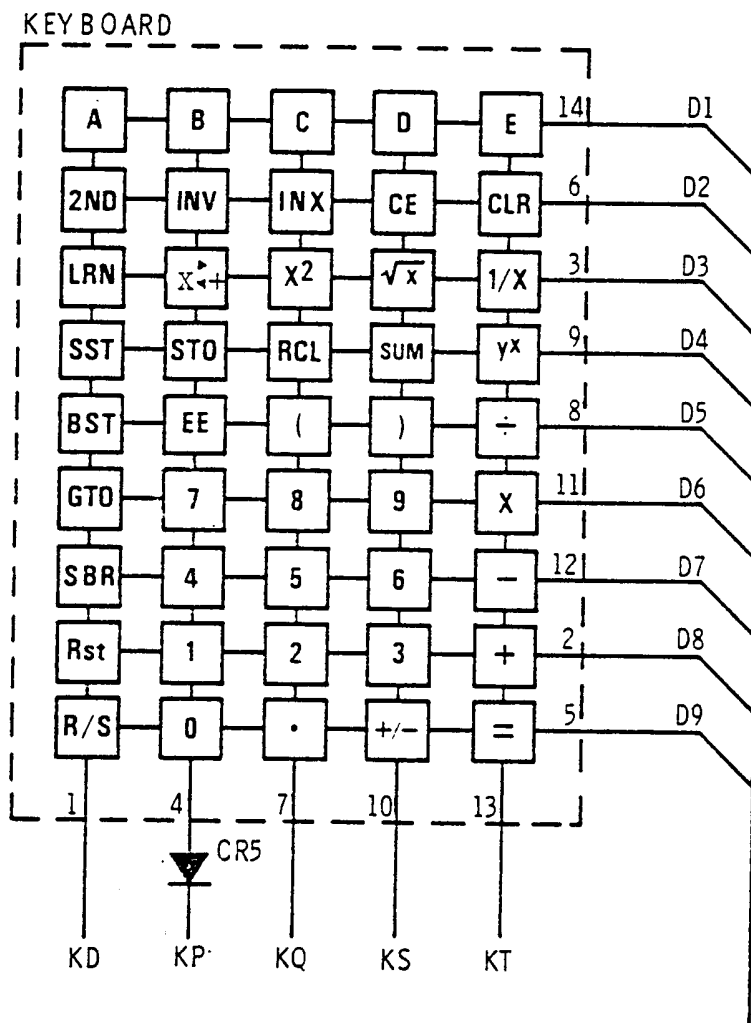


Figure 3. Keyboard Matrix

DIGIT DRIVERS

The D-line outputs from the 582 DSCOM Chip (D2 through D13) are connected to the inputs of the 12 digit drivers. The outputs of which are connected to each of the 12 display digits. Thus the display digits are turned on sequentially by the D-lines. At each D-time the segment drivers on the 501 Arithmetic chip present a new seven-segment pattern to all of the segment inputs of the 12 digits. As each new character is generated, only the proper digit is switched on by the D-line to display that character in the correct digit position. Each digit is switched sequentially to display the proper sequence of numbers.

All segments are connected according to the configuration shown in Figure 4, pin numbers are shown below each digit, and next to each segment letter, except for digit 12, where segments A, D, E and F are connected together to form a "┘" indicating calculate mode. This letter is brought out via pin 21. Segment G and DPT of digit 12 are connected the same as other digits.

DISPLAY

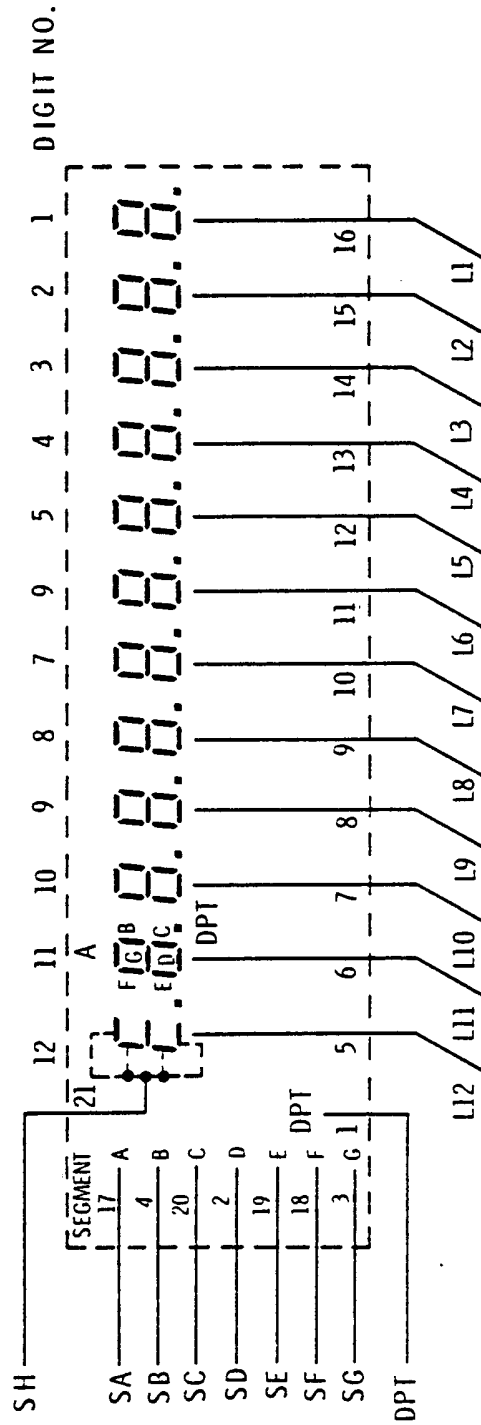


Figure 4. Display Configuration

MAGNETIC READ/WRITE MECHANISM (TI-59 ONLY)

Information transfer between the calculator and the program card is accomplished by the magnetic read/write mechanism. The mechanism consists of a four-track magnetic tape head, two normally closed switches, a pinch roller, a drive roller/motor, a pressure pad and plastic housing.

The magnetic head is driven by four TRI (As opposed to BI) state buffers on U9 when writing. When reading, the output of the magnetic head (each track) is a series of pulses with alternating polarity approximately three to four millivolts peak. Each track is amplified about 500 times by a preamplifier in U10 (LM324). Capacitors C2 through C5 decouple common mode voltage caused by the DC bias supplied to the magnetic heads. The write signal out of the MOS is a square wave switching $\pm 1.5V$ either side of $-V_{Bat}$ as shown in photo L . In both the read and write case, the frequency of the pulses/square wave varies depending upon the particular program (to include no signal on one or two tracks). The magnetic head is oriented such that track one is closest to the edge of the card. The magnetic read/write mechanism has a pressure pad which maintains contact between the magnetic head and the program card. Because the magnetic surface of the card must be in contact with the head throughout reading and writing, it is imperative that the pressure pad is functioning properly. Too much pressure produces skew, too little pressure allows the card to lift off the head.

The nominal card speed is set at 2.3 inches per second (IPS) by adjusting R2. The calculator will function at a card speed of 2.0 IPS to 2.5 IPS. At any speed below 2.0 IPS, the magnetic head cannot generate the required output voltage for reliable reading. At any speed above 2.5 IPS, the write length exceeds the usable length of the card. (It should be noted that the card speed increases with card wear.) A set up procedure for the card speed is to adjust R2 until the X in Texas on the card is split by the left edge of the calculator case when writing on a used card. A new card can be made to simulate a used card by buffing it on the printed side with a course cloth.

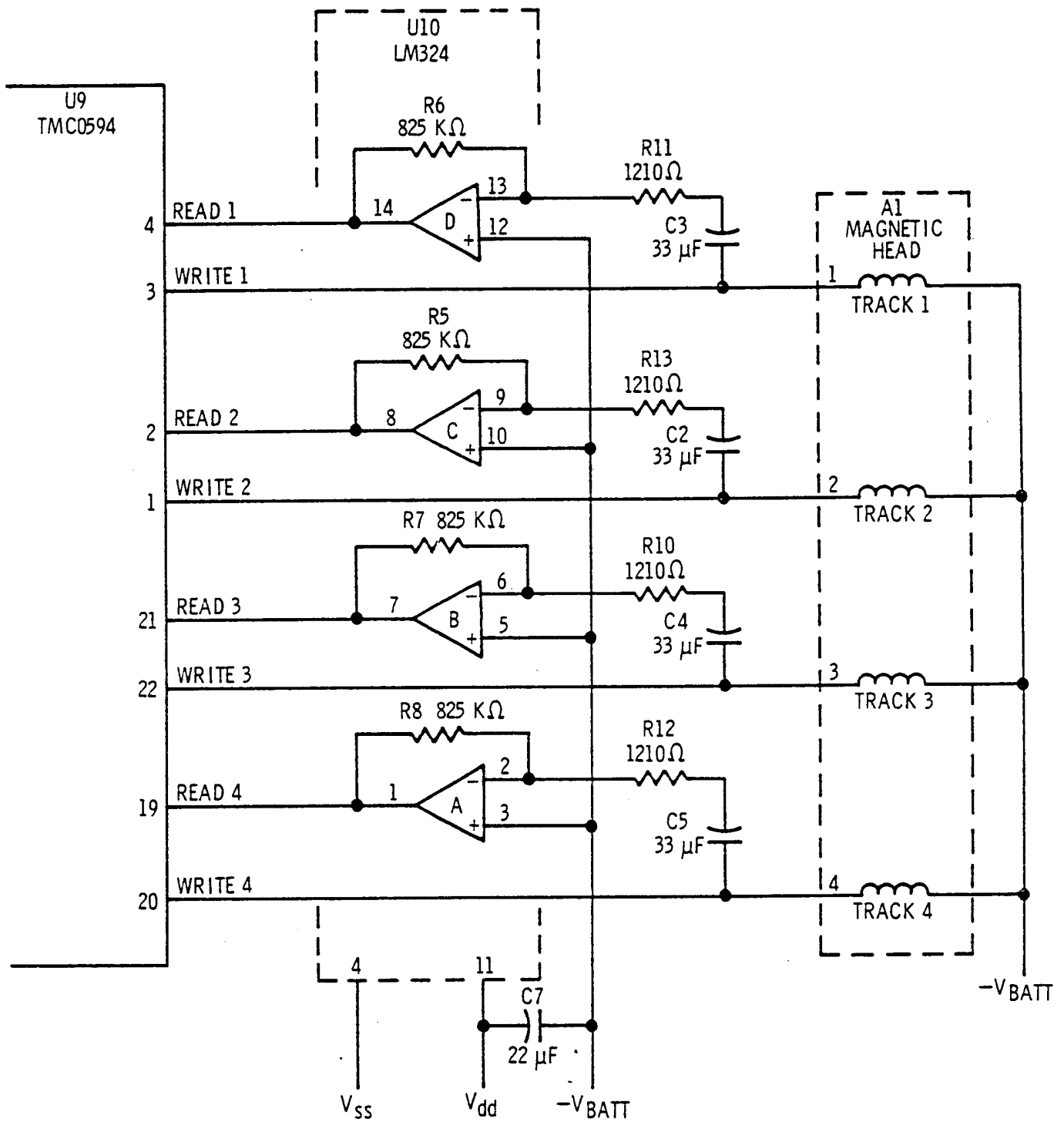


Figure 5. Magnetic Card I/O Circuit

The motor drive circuit is a constant voltage circuit capable of driving the magnetic program card at a constant speed across the magnetic head (2.3 IPS nominal). When a program card is slipped into the read/write mechanism, the card sense switch is opened and contact is broken between D10 and KR, which is sensed by U1. If the 501 is programmed to read or write, it tells U9 to turn on the motor. When this occurs, U9 pin 9 which is normally at Vdd, switches to Vss. Resistors R2 and R4 constitute a voltage divider which sets up the motor voltage. As you increase R2, Q1 conducts more, causing Q2 to conduct more, increasing motor speed. As you decrease R2, the opposite occurs, decreasing motor speed. CR8 forces the motor voltage to equal Q1 base voltage. If the load (motor) changes, a differential current is sensed by Q1 and the gain changes to bring motor voltage back to Q1 base voltage. Diodes CR7 and CR10 provide temperature compensation for the circuit. CR10 is not in older units. R2 in older units will be either 2.5 K or 5K . If motor speed adjustment is too critical, R2 should be replaced with a 1.5 K pot and a PG 1992 diode should be placed in series with CR7.

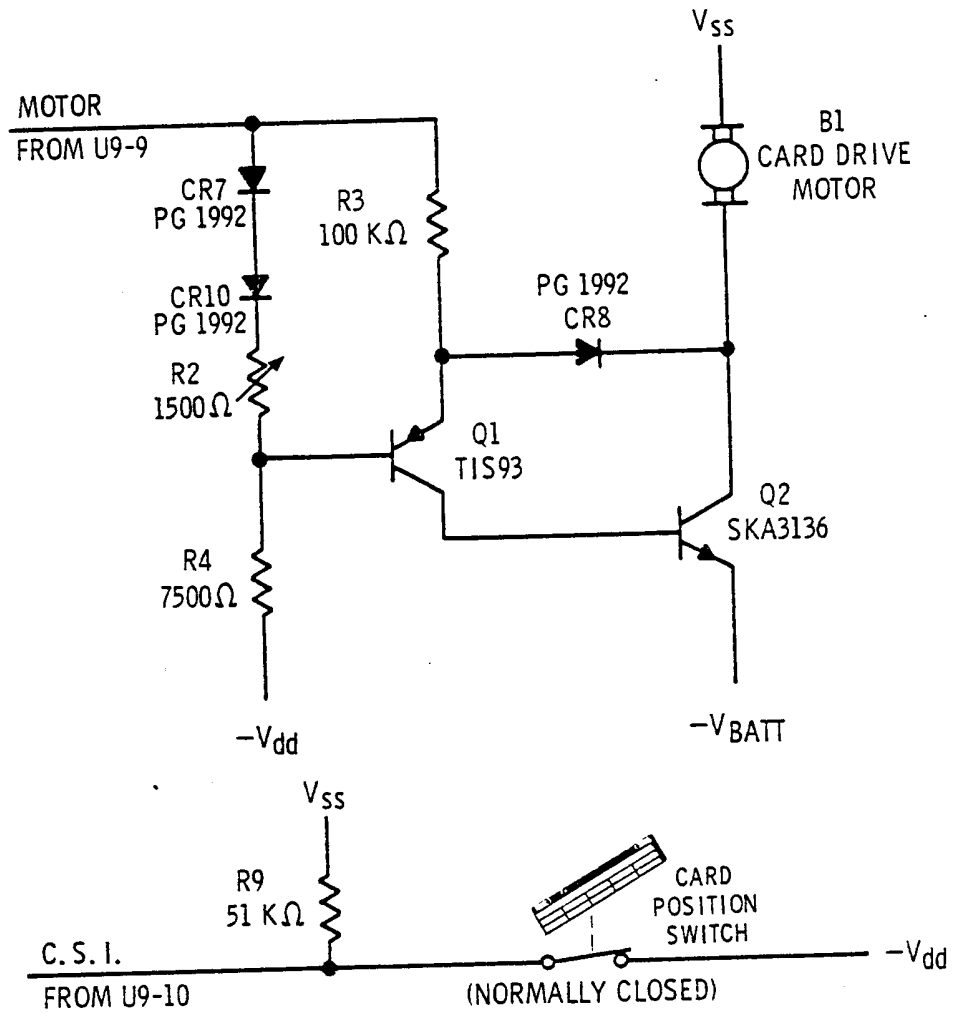
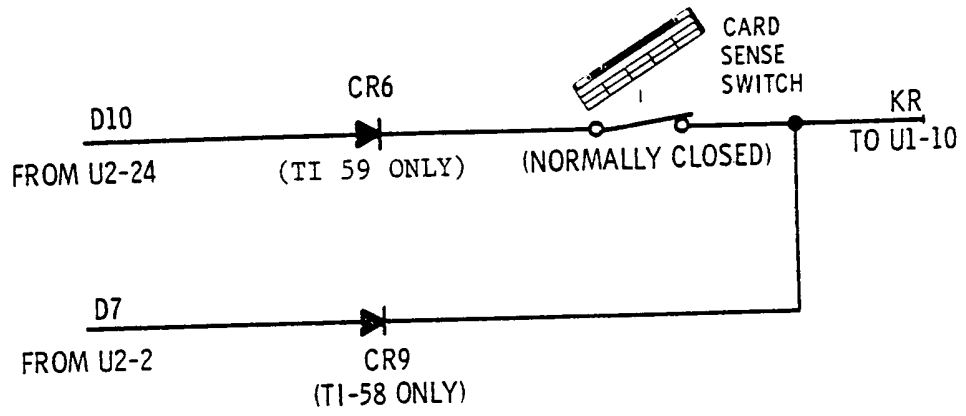


Figure 6. Card Sense Circuit

PRINTER INTERFACE DESCRIPTION

The PC-100A printer has a 14-contact connector which allows calculator interface. Since the calculator battery pack is removed when attached to the printer, the printer provides power to the calculator through the two large contacts. Figure 7 shows the pin assignments for the interface connector.

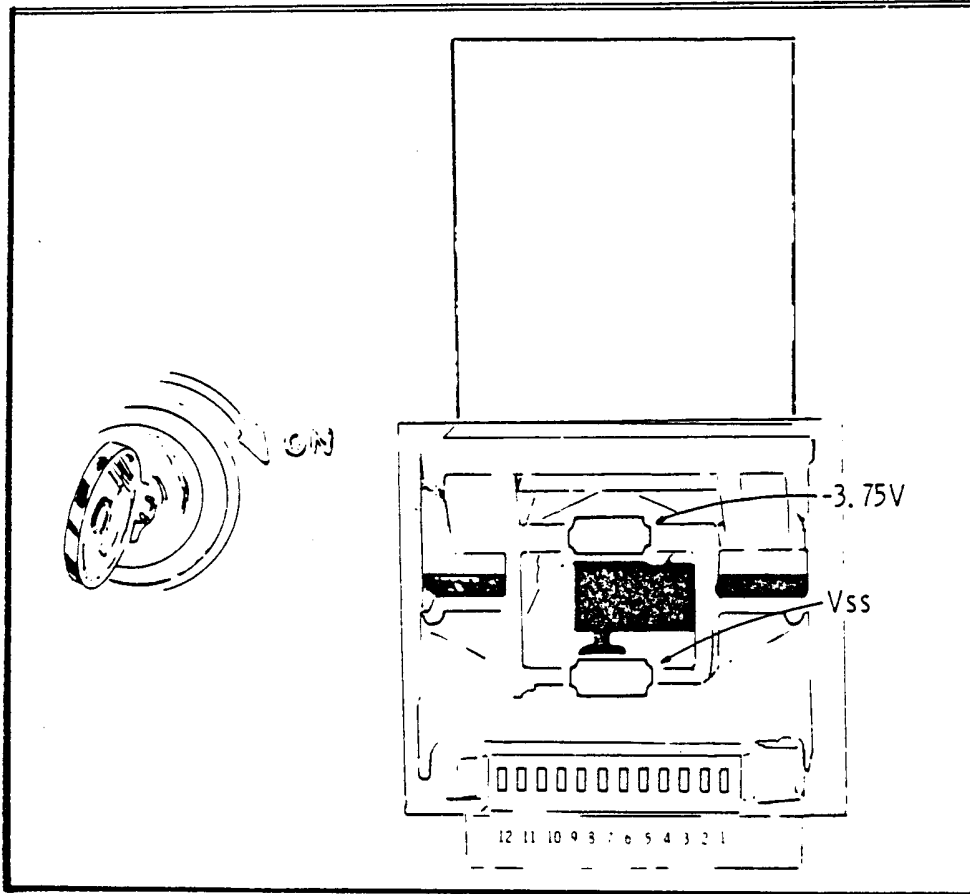
INTERFACE OVERVIEW

Two clock signals, $\phi 1$ and $\phi 2$, are used by the printer in the same manner as the calculator. Internally these clocks are further grouped into 16 state times, $S_0 - S_{15}$, and are defined as existing from the leading edge of $\phi 1$ to the leading edge of the next $\phi 1$. A full cycle of 16 state times is defined as an instruction cycle, approximately 70 usec long as shown at the top of Figure 8.

The various calculator chips and printer chips must be in sync, or in the same state time in order to communicate. This function is provided by the IDLE signal, an output from the calculator. IDLE is a logic signal that switches between V_{ss} and V_{dd} . The negative transition of IDLE (V_{ss} to V_{dd}) sets the leading edge of S_0 as shown in Figure 8. When the positive transition of IDLE occurs at S_1 (leading edge) and remains high (V_{ss}) until S_0 , the calculator is in the calculate mode. When IDLE occurs at the leading edge of S_{15} the calculator is in the display mode and is scanning the keyboard. The printer must monitor the negative transition of IDLE and set its state-time counter accordingly.

All calculator instructions are transmitted serially on the IRG line. Each instruction is 16 bits long, one per state time. See Figure 9 for instruction codes. Each bit is clocked onto IRG at $\phi 1$ and devices monitoring IRG clock it in with $\phi 2$. IRG bits at state times S_0 thru S_2 are "don't cares". The LSB is clocked onto IRG at S_3 and the MSB at S_{15} .

Data is transmitted between calculator chips and from the calculator to the printer on the EXT line. EXT is a logic signal with one bit of data each state time. S_3 thru S_9 are the state times when data is sent to the printer. The LSB is sent during S_3 and MSB during S_9 as shown in Figure 8. See Figure 10 A&B for Function and Character Codes.



Contact #	Calculator Function	* Involved with PRINT, PAPER ADVANCE, and TRACE on PC-100A.
1	Busy (KR)	
2	KP*	
3	KN*	
4	Ø1	
5	DO*	
6	D15*	
7	IRG	
8	IDLE	
9	EXT	
10	Ø2	
11	D12*	
12	N/A	

Figure 7. Printer Interface Connector

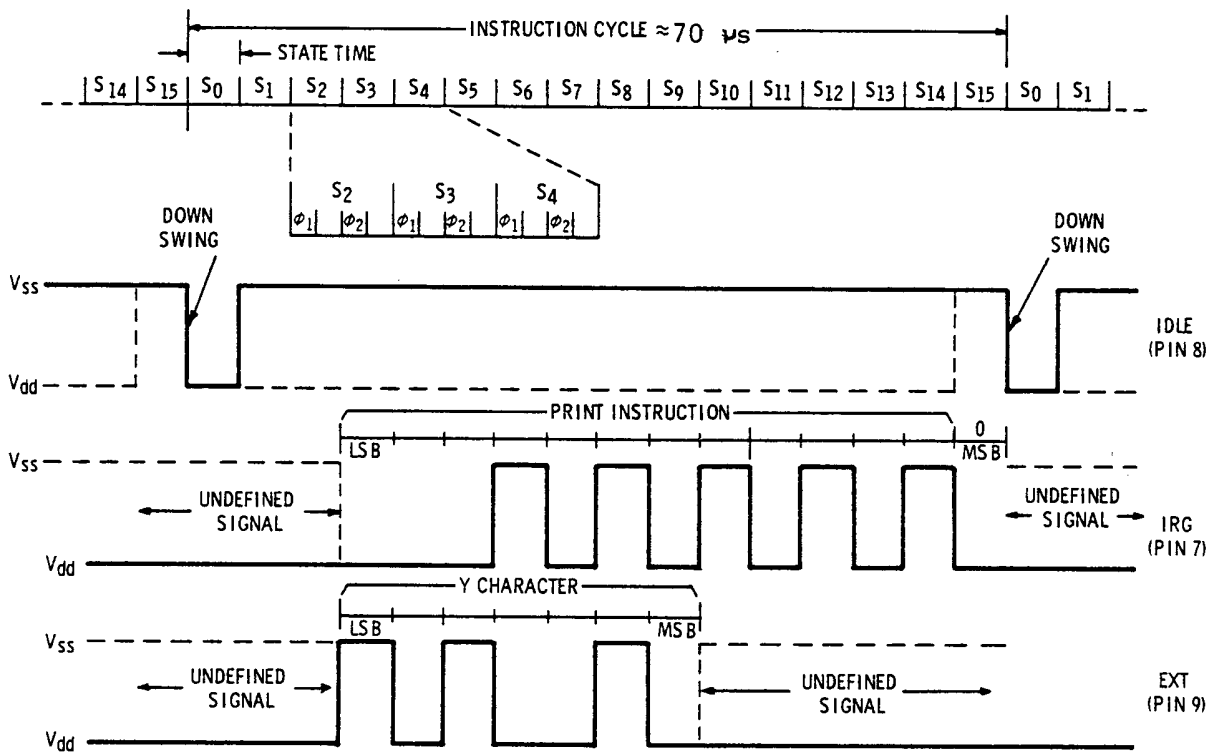


Figure 8. Identification Code Cycle Timing Diagram

INSTRUCTION CODES

STATE TIME	IRG CODE															
	S ₁₅	S ₁₄	S ₁₃	S ₁₂	S ₁₁	S ₁₀	S ₉	S ₈	S ₇	S ₆	S ₅	S ₄	S ₃	S ₂	S ₁	
LOAD	0	1	0	1	0	0	1	1	0	1	0	0	0	X	X	X
FUNCTION	0	1	0	1	0	0	1	1	1	1	0	0	0	X	X	X
CLEAR	0	1	0	1	0	1	0	0	0	1	0	0	0	X	X	X
STEP	0	1	0	1	0	1	0	0	1	1	0	0	0	X	X	X
PRINT	0	1	0	1	0	1	0	1	0	1	0	0	0	X	X	X
PAPER ADVANCE	0	1	0	1	0	1	0	1	1	1	0	0	0	X	X	X

Figure 9. Printer Instruction Codes

A status line called BUSY (KR) is provided so the printer can communicate various levels of activity to the calculator. This BUSY line is common to many chips and thus each unit lets the line float when not active. The printer indicates an active status by pulling the BUSY line to V_{ss} (there is a pull down to V_{dd} in the calculator).

DETAILED TIMING

The printer recognizes six distinct instructions on IRG as shown in Figure 9. These instructions enable the print buffer to be cleared or loaded, a line of loaded characters to be printed and a paper advance to be actuated. The data on EXT (Figure 10) is clocked into a shift register each instruction cycle and selectively loaded into a memory upon appropriate IRG command. When the printer decodes a Clear command the print buffer is set to all zeros (blanks on printout) and the character load pointer is set on the right most position. When the first LOAD command is decoded, the data from EXT is loaded into the right most print position of the memory and the character load pointer is moved one position to the left. Each character load command received thereafter loads the current EXT into the memory and moves the character load pointer one position left. If this sequence is repeated for more than 20 character loads, the pointer wraps around to the initial position and the right most character is written over. A full twenty characters can be loaded by this character load sequence and subsequently printed. When the left-most character in the desired output has been loaded no further character loads are required; the Clear instruction loaded the entire memory with the code for a blank. The Print instruction causes the printer to initiate printing of the current contents of the memory. The Paper Advance command will cause the paper to advance one half a line. The Step command has two distinct functions. If Step is decoded during the character load sequence it moves the pointer one position left and leaves the memory unchanged (if a Clear was used to begin the sequence a blank will be in the memory) regardless of the code on EXT. The second function of the Step command occurs when the printer is printing a line, i.e., in a print cycle. During a print cycle the Step command causes the printer to pull the BUSY status line to V_{ss} at S_2 of the instruction cycle following the Step command. A loop is used by the processor controlling the printer to find when the

print or paper advance sequence is finished. The FUNCTION command causes the EXT code to be converted by the printer into three character codes for easy loading of often used alpha strings like SIN, COS, PRT etc.,. There are 40 fixed three-character codes available as shown in Figure 10. The character load pointer is moved over three places by the FUNCTION command. This instruction should only be used in the right most positions of the printout.

An example of a typical load - print sequence is shown below:

Desired Output	T H E S I N O F 3 0 D E G
	0 . 5

Note: Each line represents one instruction cycle.

IRG	EXT		PRINT	X
CLEAR	X	IF BUSY = 1 →	STEP	X
X	S CODE		X	X
LOAD	S CODE	BUSY = 0 →	CLEAR	X
X	I CODE		PAPER ADVANCE	X
LOAD	I CODE	IF BUSY = 1 →	STEP	X
STEP	X		X	X
X	G CODE	BUSY = 0 →	CLEAR	X
LOAD	G CODE		PAPER ADVANCE	X
X	E CODE	BUSY = 1 →	STEP	X
LOAD	E CODE		X	X
X	D CODE	BUSY = 0 →	CLEAR	X
LOAD	D CODE		STEP	X
STEP	X		STEP	X
X	O CODE		STEP	X
LOAD	O CODE		STEP	X
X	3 CODE		X	5 CODE
LOAD	3 CODE		LOAD	5 CODE
STEP	X		X	· CODE
X	F CODE		LOAD	· CODE
LOAD	F CODE		X	0 CODE
X	O CODE		LOAD	0 CODE
LOAD	O CODE		PRINT	X
STEP	X	BUSY = 1 →	STEP	X
X	N CODE		X	X
LOAD	N CODE	BUSY = 0 →	CLEAR	X
X	I CODE			
LOAD	I CODE			
X	S CODE			
LOAD	S CODE			
STEP	X			
X	E CODE			
LOAD	E CODE			
X	H CODE			
LOAD	H CODE			
X	T CODE			
LOAD	T CODE			

FUNCTION CODES

EXT CODE		PRINTED CHARACTERS
Sg	S3	I F
1 1 1 1 1 0 0		=
0 0 1 0 0 0 1		S I N
1 0 1 0 1 1 1		C O S
1 0 1 0 1 1 0		T A N
1 0 1 1 1 0 1		S U M
1 1 0 0 0 0 1		$\Sigma +$
1 1 0 1 0 0 1		S T O
1 1 0 0 1 1 0		R C L
1 1 0 1 0 0 0		P R M
1 0 1 0 0 1 1		L N X
1 0 1 0 0 0 1		\sqrt{X}
0 1 1 1 1 0 0		$X \rightarrow Y$
0 1 1 1 1 0 1		-
0 0 1 0 0 1 0		+
0 0 1 0 0 1 1		\div
0 0 1 0 1 1 0		\times
0 0 1 0 1 1 1		$x \sqrt{Y}$
0 0 1 1 0 1 0		Y x
0 0 1 1 0 1 1		C L R
0 1 0 0 0 0 1		I N V
0 1 0 0 0 1 0		D P T
0 1 0 0 0 1 1		+ / -
0 1 0 0 1 1 1		C E
0 1 0 0 1 1 0		E E
0 1 0 1 1 0 1		e x
0 1 1 0 0 0 1		x 2
0 1 1 0 0 1 1		1 / x
0 1 1 0 1 1 0		o / o
1 0 1 0 1 0 0		π
1 1 0 0 1 1 1		E R R
1 1 1 0 0 0 0		(
1 1 1 0 0 0 1)
1 1 1 0 0 1 0		L R N
1 1 1 0 0 1 1		R U N
1 1 1 0 1 0 0		H L T
1 1 1 0 1 1 0		S T P
1 1 1 1 0 0 0		G T O
1 1 1 1 0 1 0		

Figure 10a. Function & Character Codes

CHARACTER CODES

EXT CODE	CHARACTER PRINTED	EXT CODE	CHARACTER PRINTED
Sg S3		Sg S3	
0000000	(blank)	0100011	W
0000001	0	0100100	X
0000010	1	0100101	Y
0000011	2	0100110	Z
0000100	3	0100111	+
0000101	4	0101000	x
0000110	5	0101001	*
0001111	6	0101010	√
0010000	7	0101011	i
0001001	8	0101100	e
0001010	9	0101101	(
0001011	A	0101110)
0001100	B	0101111	,
0001101	C	0110000	+ %
0001110	D	0110001	>
0001111	E	0110010	<
0010000	-	0110011	/
0010001	F	0110100	=
0010010	G	0110101	!
0010011	H	0110110	x
0010100	I	0110111	x
0010101	J	0111000	2
0010110	K	0111001	?
0010111	L	0111010	!
0011000	M	0111011	!
0011001	N	0111100	H
0011010	O	0111101	Δ
0011011	P	0111110	∑
0011100	Q	0111111	∑
0011101	R		
0011110	S		
0011111	T		
0100000	.		
0100001	U		
0100010	V		

Figure 10b.

MODIFICATIONS

If the calculator has a -3 thru -6 board, the following modifications must be performed:

- Add a 10 Meg resistor across pins 3 and 5 of the clock chip
- Check CR7- must be two PG 1992 diodes in series
- Check resonator:
 - Replace if yellow, uncoated resonator is found.
 - If rectangular resonator is used, perform "drop test" by: starting diagnostic program, dropping calculator approximately 6 inches onto a hard surface while program is still running. If calculator goes into pre-load or gets wrong answer to diagnostic program, replace resonator.
- Check Pot - must be 1.0K, 1.5K or 2.5K with a 1.21K resistor in parallel
- Check C7 - add 22 μ F 15v capacitor if missing
- Check for proper capacitor(s) for each clock chip.
 - for: 240 - 75pF between pins 4&5 of clock chip.
 - 75pF between pins 3&5 of clock chip.
 - 300 - 75pF between pins 3&5 of clock chip.
 - 301 - 33pF between pins 3&5 of clock chip.
- If any part of old card reader assembly is changed, entire assembly must be changed
- If unit has extra decimal, remove lead frame from pin 21 of the display and the PCB. Replace with PG 1992 diode with cathode toward the display.
- If unit does not read consistently:
 - Add 82pF to 100pF capacitors across pins 1&2, 6&7, 8&9, and 13&14 of LM324.
 - Replace 200K resistors with 825K resistors and add a 1.21K resistor in series with 33 μ F capacitors.

-7 Board Modifications

- If unit won't read consistently, add 82pF to 100pF between pins 1&2, 6&7, 8&9, and 13&14 of LM 324.

-1, -2 Board Modifications

- Replace PCB

TROUBLESHOOT & REPAIR

Handling procedures for MOS

All handling of devices must be performed on benches with conductive surface.

Wear Static Strap at all times when repairing TI-58 or TI-59.

Ground test equipment and tools. -- Except oscilloscopes

Devices should not be handled by their leads. Handle by ends only.

Devices should be stored in conductive foam, or in aluminum or antistatic magazines.

Eliminate the use of plastic, rubber, or silk at or near work stations where MOS devices are handled.

Maintain relative humidity above 50% if practical.

Assembled modules, PC boards, etc., should be stored in conductive bags, if possible.

CALCULATOR FUNCTION TEST

<u>Reason for Test</u>	<u>Enter</u>	<u>Display</u>
Check for missing segments and digits	CE, 8, 8, 8, 8, 8, 8, 8, 8, -/+ , EE, 8, 8, -/+.	-.88888888-88
Check all the components in the calculator. Also check CROM.	CLR, 2nd, PGM, 1, SBR, =	1
To check PC100A contacts and 571	CLR, 2nd, PGM, 1, SBR, =	Print out: Master 1
Check to insure PC100A contacts are being made.	Adv	Paper Advances
Check Keyboard	PWR On, LRN, A, 2nd, LRN, SST, BST, GTO, SBR, RST, R/S, 0, 1, 4, 7, EE, STO, x \rightarrow t, INV, B, C, Inx X ² , RCL, C, 8, 5, 2, ., +/-, 3, 6, 9,), SUM, \sqrt{x} , CE, D, E, CLR, 1/x, y ^x , \div , x, -, +, =	042 00
Check 571 +	6, 2nd, OP, 1, 7	479.59 PGM steps. Register
Check 598's	7, 7, 7, 7, 7, 7, 7, 7, 7, 7, STO, 0, 0, STO, 5, 9, CLR, RCL, 5, 9	777777777
Check 582-3	5, 0, x \rightarrow t, 5, 0, INV, 2nd, P \rightarrow R, x \rightarrow t	45. 70.71067812
Test all components plus CROM	PWR On, LRN, 2nd, PGM, 1, SBR, =, 2nd, PAUSE, 8, ., 8, 8, 8, 8, 8, 8, 8, +/-, EE, 88 +/-, 2nd, PAUSE, RST, LRN, RST, R/S	Flash 1 then flash -8.88888888 -88
Check card Read/Write ability (59 only)		

EQUIPMENT

Scope--any good 10MHz dual trace scope. A differential preamp is desired.

Regulated P.S.

VOM

DVM

Good battery pack

Charger

DISASSEMBLY

1. Remove Battery Pack and CROM
2. With a small-tip Phillips screwdriver remove the two hold-down screws in the center of the calculator base.
3. Holding the calculator keyboard down, separate the topcase and bottom case (at display end only) approximately 1 inch.
4. Slide the bottom case down off the hooks securing it to the top case.
5. To remove card reader, unplug strips from connectors noting carefully the routing scheme of the longer of the two strips. Remove the four small screws holding the reader assembly to the top case. Lift out the card reader.
6. To remove the PC board assembly, insert a flat-blade screwdriver beneath the keyboard and pry gently, releasing the keyboard.

IMPORTANT: Keep the calculator face-down on the workbench while performing this operation, because the keys are loose and will become displaced causing you unnecessary work to replace them.

7. Now, carefully remove the P.C. board and the keyboard by lifting up the display end of the P.C. board first. Make sure the foam "key buffer" is not stuck to the keyboard as it may pull keys out of position as the keyboard is removed.

TO RE-ASSEMBLE

1. Place the bottom of the keyboard under the hold-down tabs at the bottom side of the topcase and snap the top of the keyboard into place using a small screwdriver.
2. Replace the card reader and attach it to the topcase with the four hold-down screws.
3. Route the card reader strip cables as shown in Figure 11. Be sure the longer of the two cables is routed to the lefthand (inside) side of the trim pot. After plugging the strip into the connector, push the lower edge of the strip up against the connectors as shown in figure 11.
4. Pick up the topcase and hook the bottom end of the bottomcase into the hooks at the base of the topcase. Slide the bottomcase forward while watching through the battery compartment hole to make certain that the card reader strip does not become damaged by the bottomcase during assembly.
5. Replace the two large screws that hold the calculator together along with the battery pack and CROM.
6. Perform checkout sequence again.

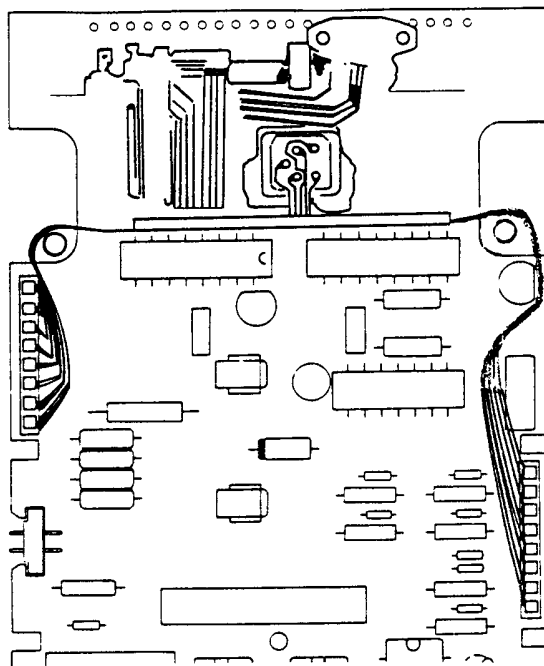


Figure 11. Card Reader Wire Routing

COMMON TROUBLES

Calculator won't enter (Off PC-100A)

Calculator won't enter while on PC-100A/Enters when off of PC-100A.

Double Entry

Won't call up Program from CROM

Calls up CROM/wrong answer on CROM diagnostic

Calculation Errors

PC-100A Compatibility

Erratic Display

Calculator will not read

Calculator will Read/Write off PC-100A, but not on PC-100A

Calculator will read, will not write

Calculator is dead

Memory/Data Register problems

CALCULATOR WON'T ENTER (OFF PC-100A)

<u>ACTION</u>	<u>CAUSE</u>	<u>CURE</u>
1. Check K-lines for normal conditions (No D-line signals mixed in) scope photo K. With exception of KR line which should have a d-pulse superimposed on a VK-line. <ul style="list-style-type: none">• If "D" line signal is mixed in, 501 locks up;	<ul style="list-style-type: none">• Key making contact• Short form "D" line to "K" line	<ul style="list-style-type: none">• Replace keyboard• Remove short
2. While holding key down, check other "K" lines for an extra "D" line signal. <ul style="list-style-type: none">• If signal is present on another "K" line, that "D" line is shorted to another "K" line• If signal is <u>not</u> present on its respective "K" line	<ul style="list-style-type: none">• Short• Bad keyboard• Open etch• Bad solder joint	<ul style="list-style-type: none">• Repair• Replace• Repair• Repair
3. When key is pressed, "K" line has "D" line signal, but when released "K" line signal goes away	<ul style="list-style-type: none">• Bad 501	<ul style="list-style-type: none">• Replace

WON'T ENTER WHILE ON PC-100A/ENTERS
WHEN OFF OF PC-100A

<u>CHECK</u>	<u>CAUSE</u>	<u>REMEDY</u>
1. Check CR5 for short or open	● Shorted/opened	● Replace
2. Check 582/583 for presence of DO signal. If no signal present, check for short between DO & Vss	● Shorted 582/583 stack	● Replace/ remove short
3. Check print cradle contact pins for proper contact with PCB pads.	● Mis--aligned pins	● Straighten/ Replace

DOUBLE ENTRY

<u>Check</u>	<u>Cause</u>	<u>Cure</u>
1. Check "D" lines out of 582/583 for multiple signals on single "D" line.	<ul style="list-style-type: none">● Solder Shorts● Shorted 582/583 stack	<ul style="list-style-type: none">● Remove● Replace stack
2. Check 27882 input and output for multiple "D" line signals on single "D" line. If found, remove 27882 and check to see if signals still exist.	<ul style="list-style-type: none">● Shorted KB line	
 If signals exist, If signals go away,	<ul style="list-style-type: none">● 582/583 faulty● 27882 faulty	<ul style="list-style-type: none">● Replace● Replace

WON'T CALL UP PROGRAM FROM CROM

Check

Cause

Cure

Press: CLR 2nd PGM 01

- | | | |
|----------------------------|--------------------------------|--------------|
| • If display blinks; | • Bad CROM | • Replace |
| | • Mis-aligned
CROM contacts | • Straighten |
| • If display still blinks; | • Bad 571 | • Replace |
| • If display still blinks; | • Bad 582/583
stack | • Replace |

CALLS UP CROM/WRONG ANSWER ON CROM DIAGNOSTIC

Action

Press CLR 2nd PGM 01
SBR [=]

Display should show "1",
if it does not;

Cause

- Bad CROM
- Mis-aligned
CROM contacts
- Bad 571
- Bad 582/583
stack
- Bad 501

Cure

- Replace
- Straighten
- Replace
- Replace
- Replace

CALCULATION ERRORS

<u>Action</u>	<u>Cause</u>	<u>Cure</u>
Check trig, log & arithmetic routines. If errors exist;	● Bad 501	● Replace
If errors still exist;	● Bad 582/583 stack	● Replace
If trig and log routines are right but arithmetic routines are incorrect, enter following problems: 78-1= or 707 + 0 =		
If incorrect answer results;	● Bad 582/583 stack	● Replace

PC-100A COMPATIBILITY

(Works off/won't work on)

<u>Action</u>	<u>Cause</u>	<u>Cure</u>
1. Check PC 100 contacts	● Bent/misaligned	● Straighten
2. Use scope to check PC board print cradle contacts for proper signals;	● Missing or incorrect signal	● Locate source of incorrect or missing signal. Replace bad component.
KN missing/incorrect	● Bad 501	
DO " "	● Bad 582	
D12 " "	● Bad 582	
D15 " "	● Bad 582	
KR " "	● Bad 501	
(Note: If signal exists at the proper device pin, check for an open etch)		
3. If above steps fail to locate problem:	● Bad 571	● Replace
	● Bad 582/583	● Replace

ERRATIC DISPLAY

<u>Action</u>	<u>Cause</u>	<u>Cure</u>
1. Scope clock output, check for presence of proper waveform	<ul style="list-style-type: none">● Bad clock chip● Bad resonator● Bad MOS device	<ul style="list-style-type: none">● Replace● Replace● Locate & Replace
2. Check Vdd and Vgg with VOM or DVM	<ul style="list-style-type: none">● Bad power supply module● Heavily loaded power supply due to shorted MOS device.	<ul style="list-style-type: none">● Replace● Locate bad MOS & Replace
3. Check I/O lines if improper waveform is observed	<ul style="list-style-type: none">● Bad 501● Bad 582/583	<ul style="list-style-type: none">● Replace● Replace
4. Check Vdd and Vgg with scope for noise	<ul style="list-style-type: none">● Bad Power Supply Module	<ul style="list-style-type: none">● Replace

CALCULATOR WILL NOT READ

<u>Action</u>	<u>Cause</u>	<u>Cure</u>
1. Try original card then Write new card <u>CLR</u> 1 <u>2nd</u> <u>Write</u> Then check card speed (see page <u>11</u>) Check to see if card will read	<ul style="list-style-type: none">• Bad card• Incorrect card speed	<ul style="list-style-type: none">• Try good card• Adjust
2. Check pins 4 and 21 of 594 for a 2 v peak signal during a card read. If signal is incorrect;	<ul style="list-style-type: none">• Bad head• Bad Amplifier	<ul style="list-style-type: none">• See Step <u>4</u>• Replace 324
3. If signal is 2 v. p.p. or higher from step 2, replace 594	<ul style="list-style-type: none">• Bad 594	<ul style="list-style-type: none">• Replace
4. Remove & disassemble head mechanism (note routing of flex cables) Inspect head and pressure pad for contamination Inspect flex cable for damage with Ohmmeter (270 Ω should be measured from V batt to each respective channel)	<ul style="list-style-type: none">• Dirty head or pressure pad• Flex cable open• Head open circuited	<ul style="list-style-type: none">• Clean with alcohol• Replace• Replace

CALCULATOR WILL READ/WRITE OFF PC-100A
BUT NOT ON PC-100A

<u>Action</u>	<u>Cause</u>	<u>Cure</u>
• Replace 47 μ F cap	• 47 μ F cap bad	• Replace

WILL READ, WILL NOT WRITE

<u>Action</u>	<u>Cause</u>	<u>Cure</u>
1. Check motor speed	• Improper adjustment	• Adjust
2. Take a card, write a program on it, then check read amplitude on pins 4 and 21 of 594. If no signal appears;	• Defective 594	• Replace

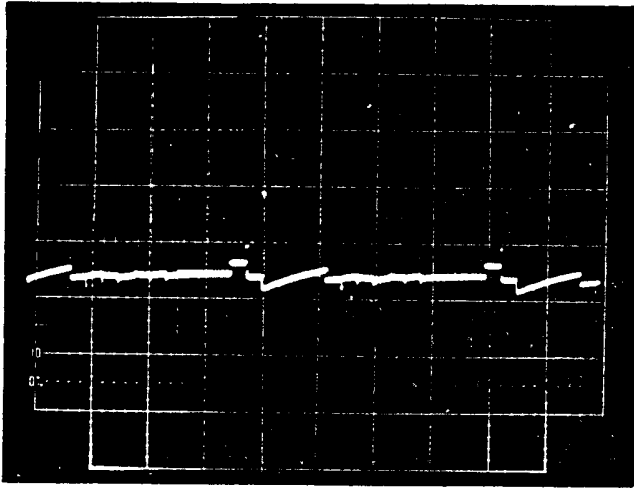
CALCULATOR IS DEAD

<u>Action</u>	<u>Cause</u>	<u>Cure</u>
1. Check V _{gg} and V _{dd} at CROM contacts. If bad, check battery, power supply, battery contacts, on/off switch.	<ul style="list-style-type: none">• Bad battery• Bad power supply• Bent/broken battery contacts• Bad on/off switch	<ul style="list-style-type: none">• Replace• Replace• Replace• Replace
2. Check clock waveform if bad; Check pin 4 of clock chip for resonator output. If missing;	<ul style="list-style-type: none">• Bad clock chip• Bad resonator	<ul style="list-style-type: none">• Replace• Replace
If signal is present at pin four;	<ul style="list-style-type: none">• Bad clock chip	<ul style="list-style-type: none">• Replace
3. If problem persists, check "D" lines from 582/583. If no signal is found;	<ul style="list-style-type: none">• Bad 582• Bad 501	<ul style="list-style-type: none">• Replace• Replace
4. If calculator is in "Pre-load" check "K" lines from 501 for "D" line signals. If found, remove keyboard, if problem goes away;	<ul style="list-style-type: none">• Bad keyboard	<ul style="list-style-type: none">• Replace
if problem does not go away;	<ul style="list-style-type: none">• External short	<ul style="list-style-type: none">• Find and remove

MEMORY/DATA REGISTER PROBLEMS

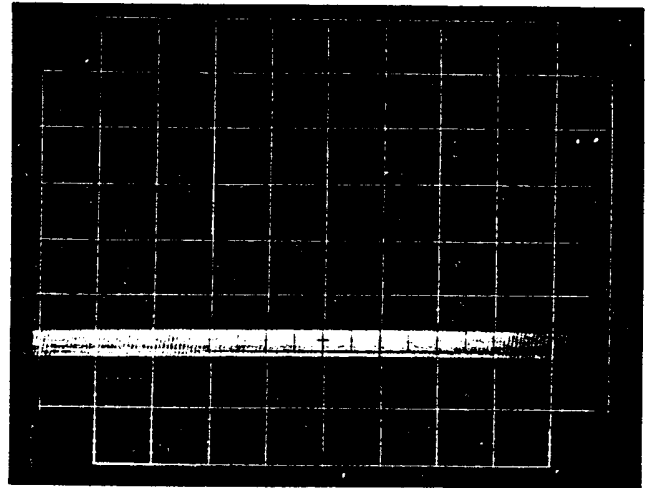
<u>Action</u>	000	76	LBL	051	20	20	101	07	7
Enter the following	001	11	A	052	43	RCL	102	54)
program. (Enter by hand,	002	00	0	053	01	01	103	77	GE
then record on mag card for	003	06	6	054	72	ST+	104	10	E*
later use.)	004	01	1	055	00	00	105	85	+
Program will check all memory	005	02	2	056	97	DSZ	106	08	8
locations available in the cal-	006	01	1	057	02	02	107	54)
culator. If a problem is	007	01	1	058	12	B	108	65	x
found, the calculator will	008	02	2	059	76	LBL	109	01	1
print out the number of the	009	00	0	060	13	C	110	00	0
faulty memory location. (Pro-	010	03	3	061	43	RCL	111	00	0
gram must be used in conjunc-	011	07	7	062	01	01	112	54)
tion with the PC-100A.)	012	69	DP	063	94	+/-	113	44	SUM
To run the program, press A	013	02	02	064	74	SM*	114	02	02
<u>Cause</u>	014	01	1	065	00	00	115	43	RCL
Bad 598 stacks	015	07	7	066	73	RC*	116	02	02
	016	03	3	067	00	00	117	69	DP
	017	06	6	068	69	DP	118	04	04
<u>Remedure</u>	018	03	3	069	10	10	119	73	RC*
If memory register from 00	019	07	7	070	67	EQ	120	00	00
to 59 is bad, replace left	020	02	2	071	14	D	121	69	DP
stack.	021	00	0	072	43	RCL	122	06	06
	022	00	0	073	00	00	123	76	LBL
If program register from	023	02	2	074	65	x	124	14	D
00 to 479 is bad, replace	024	69	DP	075	93	.	125	69	DP
right stack.	025	03	03	076	01	1	126	30	30
	026	69	DP	077	54)	127	97	DSZ
	027	05	05	078	22	INV	128	03	03
	028	01	1	079	59	INT	129	13	C
	029	00	0	080	65	x	130	06	6
	030	69	DP	081	01	1	131	69	DP
	031	17	17	082	00	0	132	17	17
	032	47	CMS	083	75	-	133	91	R/S
	033	03	3	084	07	7	134	76	LBL
	034	42	STD	085	54)	135	15	E
	035	00	00	086	77	GE	136	85	+
	036	09	9	087	15	E	137	01	1
	037	35	1/X	088	85	+	138	00	0
	038	42	STD	089	08	8	139	54)
	039	01	01	090	54)	140	61	GTO
	040	09	9	091	42	STD	141	00	00
	041	06	6	092	02	02	142	91	91
	042	42	STD	093	43	RCL	143	76	LBL
	043	02	02	094	00	00	144	10	E*
	044	42	STD	095	65	x	145	85	+
	045	03	03	096	93	.	146	01	1
	046	69	DP	097	01	1	147	00	0
	047	00	00	098	54)	148	54)
	048	76	LBL	099	59	INT	149	61	GTO
	049	12	B	100	75	-	150	01	01
	050	69	DP				151	08	08

A (NON CALC) SEGMENT LINE OUTPUT



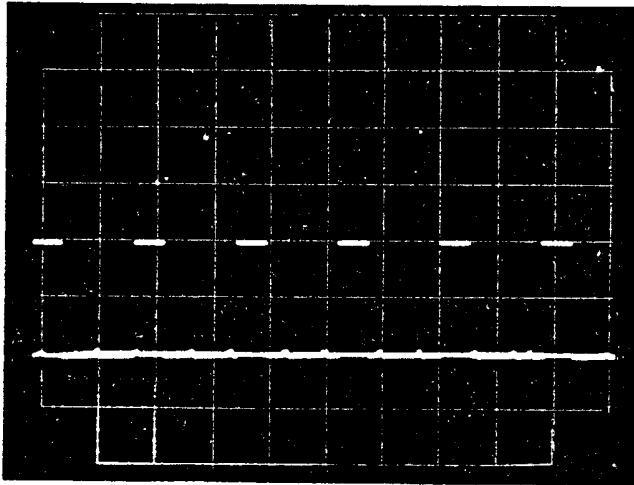
5V/D 1ms

C' (CALCULATING) K-LINE



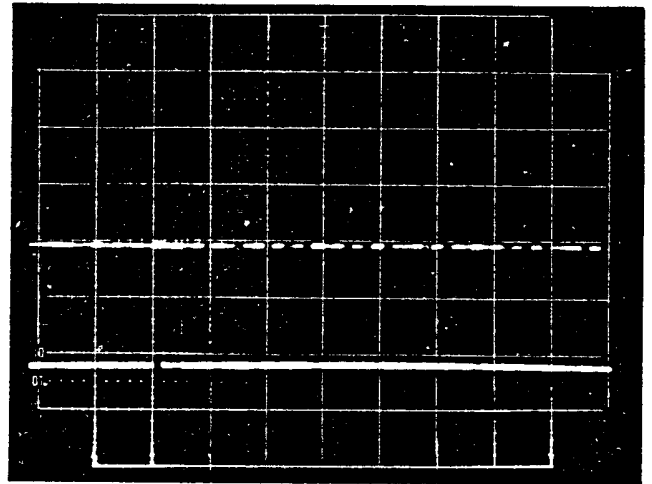
5V/D 1ms

B I/O LINE



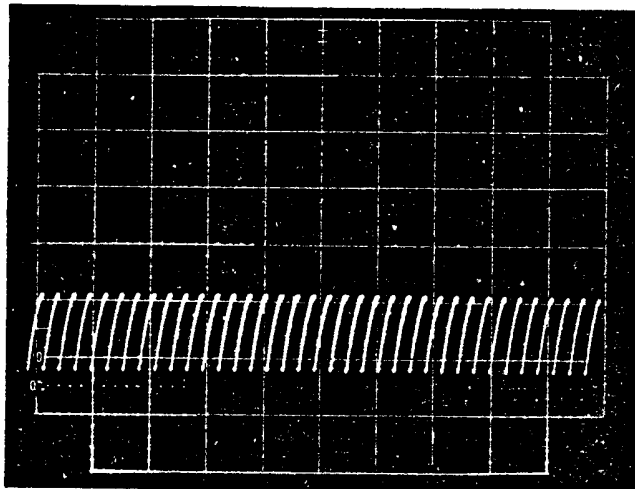
5V/D 5ms

D IRG



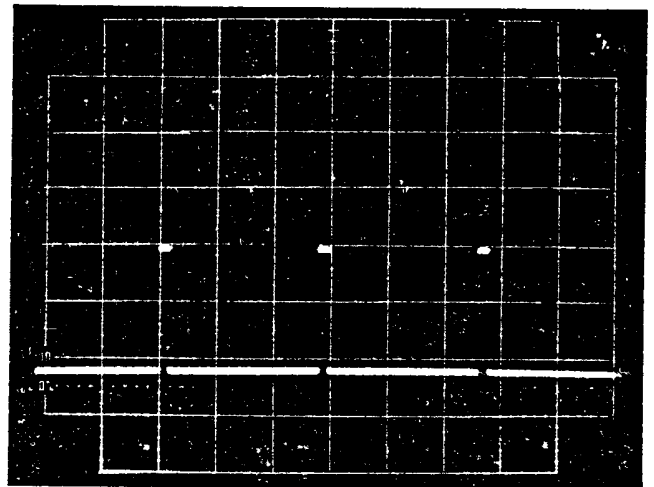
5V/D .1ms

C (NON CALC) K-LINE



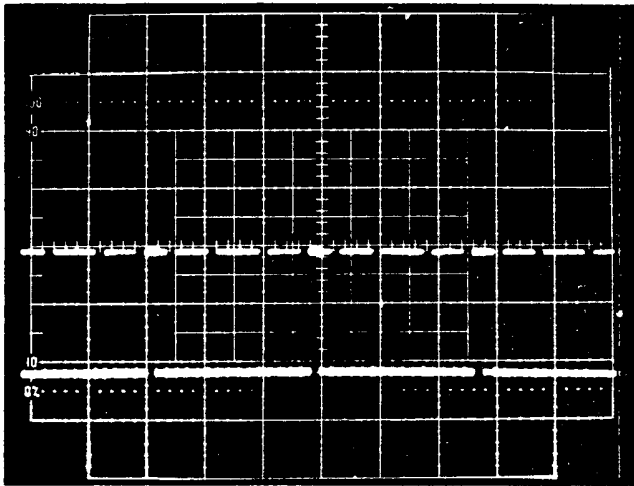
5V/D 1ms

E IDLE (LOW - CALCULATOR IN DISPLAY MODE)



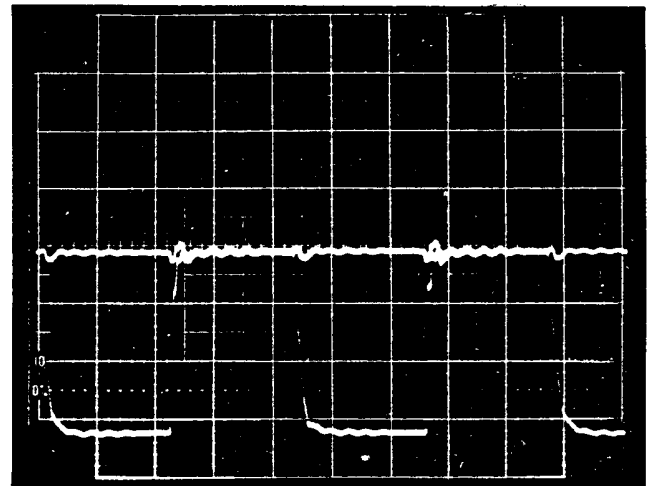
5V/D .1ms

F EXT



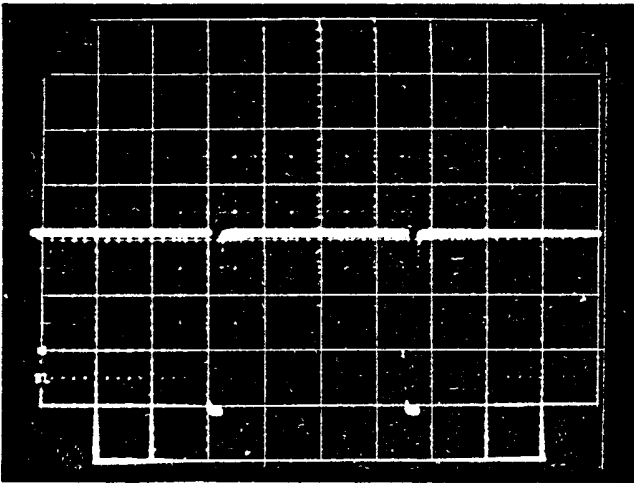
5V/D .1ms

H TIMING RELATIONSHIP OF Ø1 & Ø2



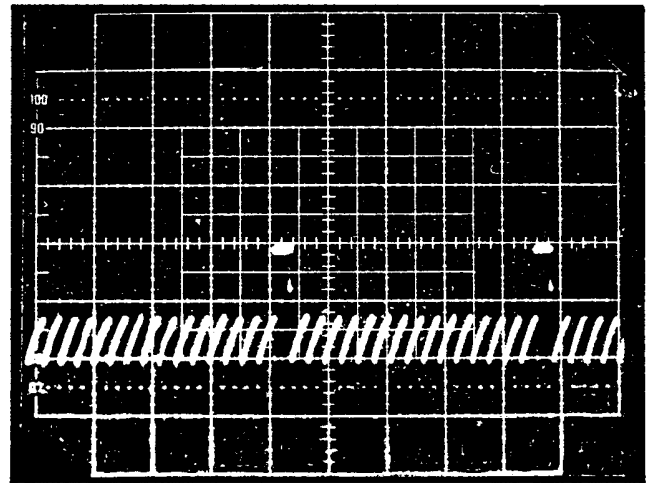
5V/D .5µs

G CLOCK IN IDLE MODE (DISPLAY)



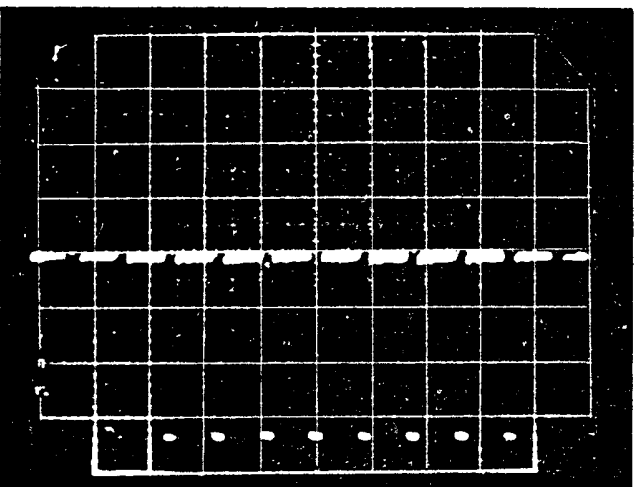
5V/D 5µs

I (NORMAL) KR-LINE



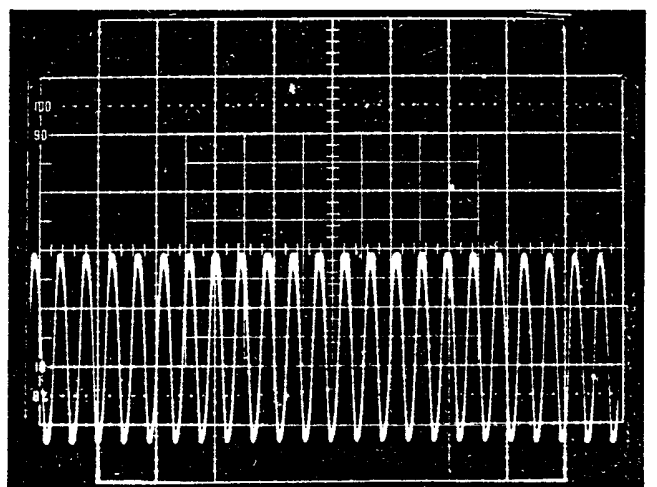
5V/D 1ms

G' CLOCK IN HIGH SPEED MODE (CALCULATE)



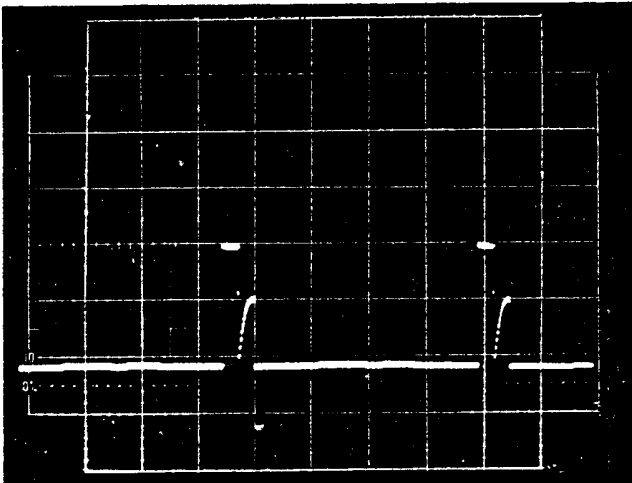
5V/D 5µs

J RESONATOR OUTPUT



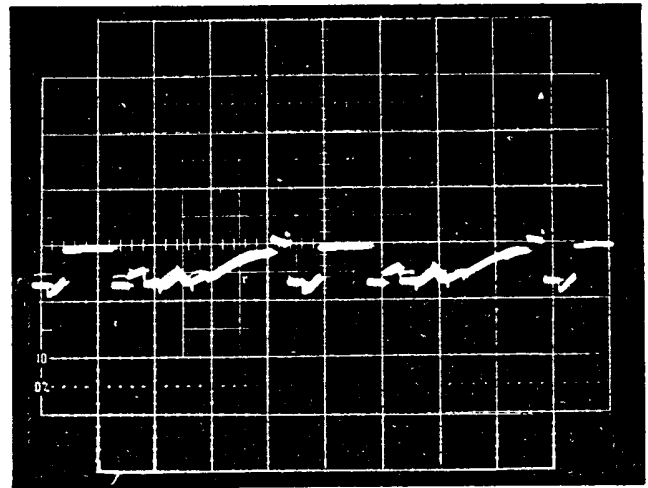
5V/D 5µs

K (NON CALC) D-LINE PULSE



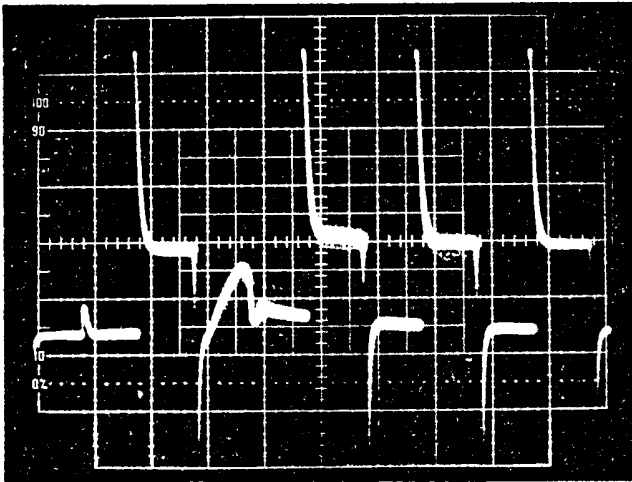
5V/D 1ms

N DIGIT DRIVER OUTPUT



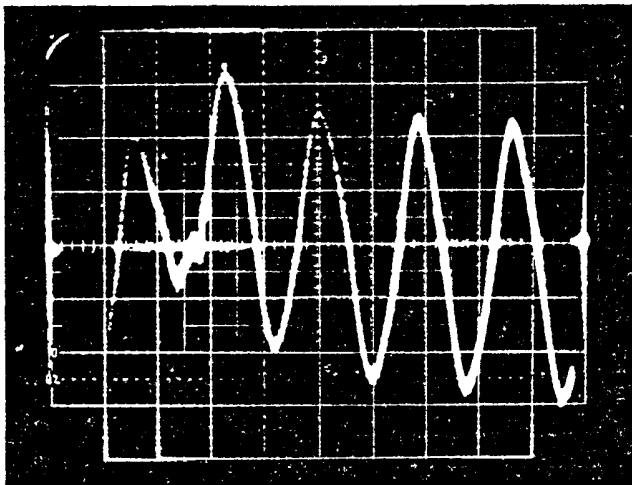
5V/D 1ms

L (WRITING) 594 OUTPUT

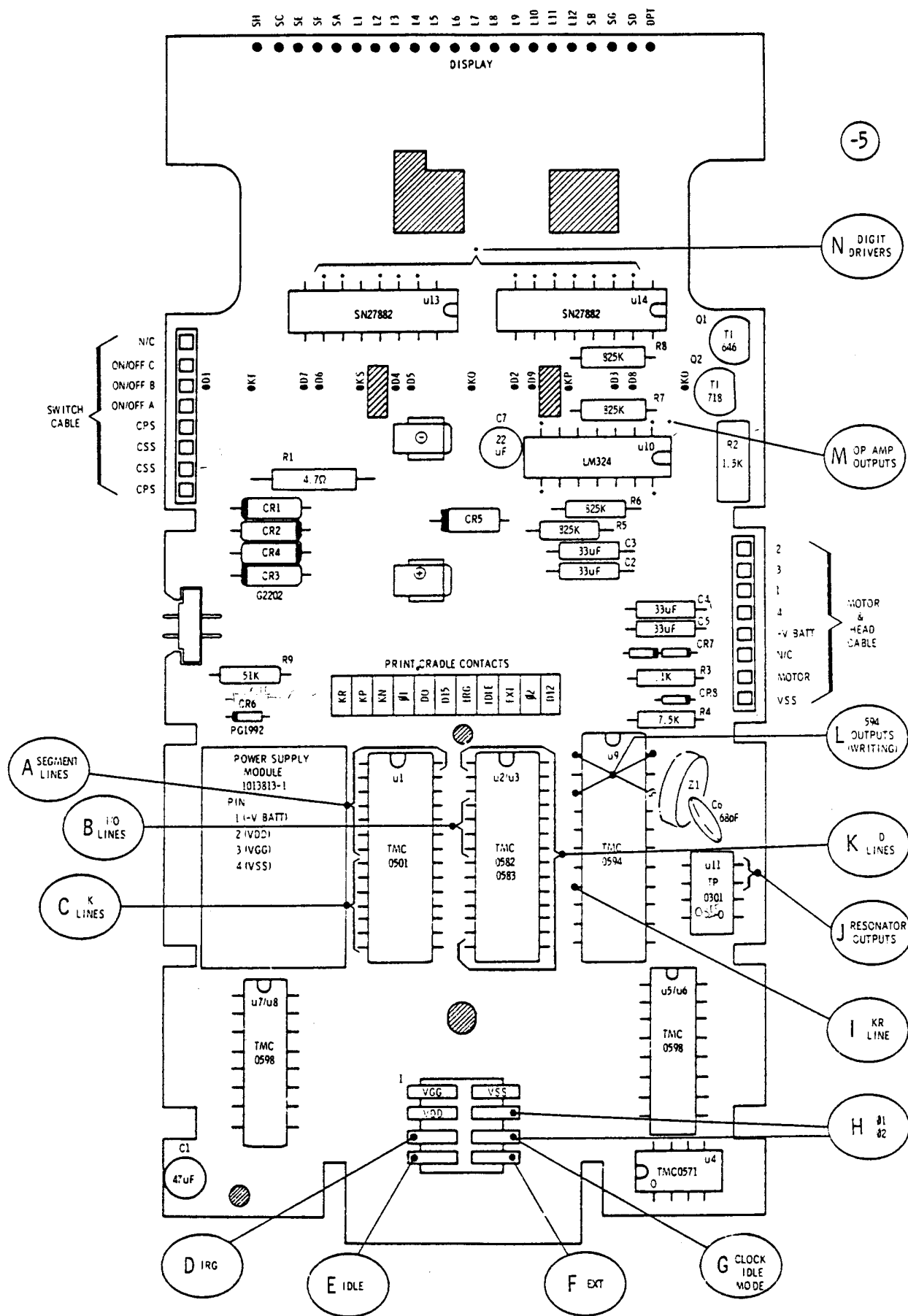


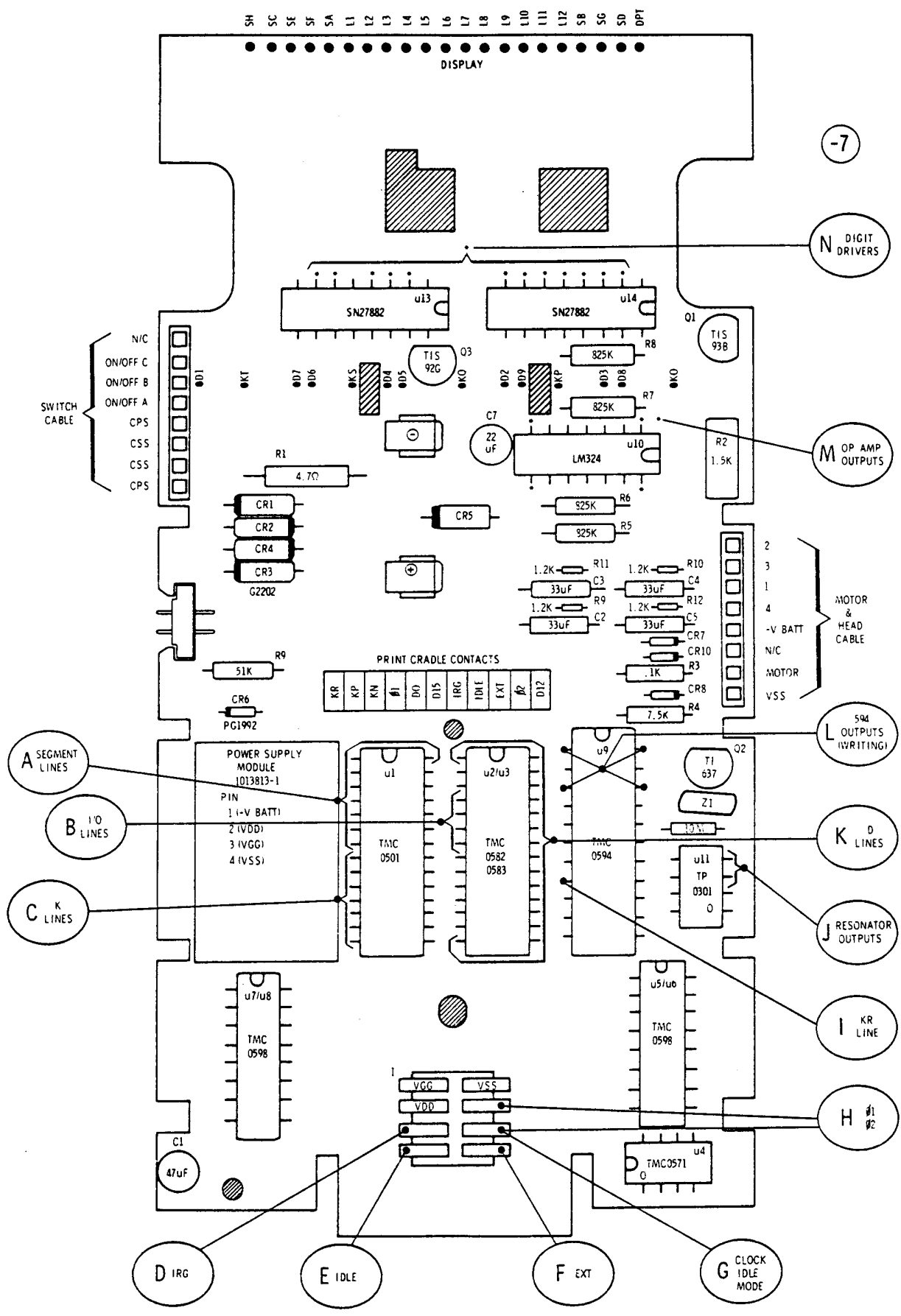
1V/D 1ms

M OP AMP OUTPUT



.5V/D 1ms





-7

N DIGIT DRIVERS

M OP AMP OUTPUTS

L 594 OUTPUTS (WRITING)

K D LINES

J RESONATOR OUTPUTS

I KR LINE

H #1 #2

G CLOCK IDLE MODE

A SEGMENT LINES

B I/O LINES

C K LINES

D IRG

E IDLE

F EXT

SWITCH CABLE
 N/C
 ON/OFF C
 ON/OFF B
 ON/OFF A
 CPS
 CSS
 CSS
 CPS

PRINT CRADLE CONTACTS
 KR KP KN #1 #2
 D0 D15
 IRG IDLE EXT #2
 D12

MOTOR & HEAD CABLE
 2
 3
 1
 4
 -V BATT
 N/C
 MOTOR
 VSS

INTEGRATED CIRCUITS

REF DESIG	DASH NUMBER	PART #
	<u>All</u>	
U1	TMC0501	1500924-0002
U2	TMC0582	1501198-0001
U3	TMC0583	1501199-0001
U4	TMC0571	1501200-0001
U5	TMC0598	1500896-0002
U6	TMC0598	" " "
U7	TMC0598	" " "
U8	TMC0598	" " "
U9	TMC0594	1501210-0001
U10	LM 324	1501211-0001
U11	TP0335	1501192-0005
U12	TMC 054	1501248-0001
U13	SN 27882	1210013-0012
U14	SN 27882	1210013-0012

TI 59 Only

TRANSISTORS (TI 59 Only)

REF DESIG	ALL DASH#	PART#
Q1	TIS 93	1500578-1
	SKA 1872	1501062-1
Q2	SKA 3136	1501091-1
Q3	TIS 92	1500501-1 (-7 board only)

DIODES

REF DESIG	DASH NUMBERS			PART #
	-1,2,3	-4,5,-6	7	
CR1	G 2202	G 2202	G 2202	1500528-0001
CR2	G 2202	G 2202	G 2202	" " "
CR3	G 2202	G 2202	G 2202	" " "
CR4	G 2202	G 2202	G 2202	" " "
CR5	PG1992	PG1992	PG1992	" " "
CR6	PG1992	PG 1992	PG 1992	1500575-0001 (TI-59 only)
CR7	PG1992	PG1992	PG 1992	" " " (TI-59 only)
	Two in series		Two in series	
CR8	PG 1992	PG 1992	PG 1992	" " " (TI-59 only)
CR9	-	-	-	(TI-58 only)
CR10	-	-	PG 1992	" " " (TI-59 only)

CAPACITORS

REF DESIG	DASH NUMBERS			PART #
	-1,2,3	-4,5	-6,7	
C1	47 μ F	47 μ F	47 μ F	1500701-0003
C2	33 μ F	33 μ F	33 μ F	1500628-0016
C3	33 μ F	33 μ F	33 μ F	" " "
C4	33 μ F	33 μ F	33 μ F	" " "
C5	33 μ F	33 μ F	33 μ F	" " "
C6	-	-	-	
C7	22 μ F	22 μ F	22 μ F	1501311-1
C clock*	75pF	75pF	75pF	1500745-30
C clock*	33pF	33pF	33pF	1500745-23

*Refer to clock section (Figure 2) for proper configuration/hook-up information.

RESISTORS

REF DESIG	DASH NUMBERS			PART #
	-1,2,3	-4,5	-6,7	
R1	4.7K	4.7K	4.7K	1500600-0017
R2	1.5K pot	1.5K pot	1.5K pot	1501060-0014
R3	.1K	.1K	.1K	1500598-0039
R4	7.5K	7.5K	7.5K	1500598-0084
R5	200K*	200K	825K	1501312-0473
R6	200K*	200K	825K	" " "
R7	200K*	200K	825K	" " "
R8	200K*	200K	825K	" " "
R9	51K	51K	51K	1500773-0098
R10	-	-	1.21K	1501312-0201
R11	-	-	1.21K	" " "
R12	-	-	1.21K	" " "
R13	-	-	1.21K	" " "
R clock	10M**	10M**	10M**	1500773-153

TI-59 only

*200K P.N. - 1501312-0414

** Optional

MISC ELECTRONICS

PCB	1014957-0007
Power Supply Module	1013813-0001
Battery Contact	1014962-0001
XStr, Resonator	1500969-0005
Crom Contacts	1014963-0002
Prog 59 insert	1014961-2500
Connector Pin	1030299-0001
VLeD Display	1014952-0001
Lead Frame	1010727-0006
Keyboard	1014940-0001
Keyboard Spacer	1015746-0001
Recpt	1014320-0001

CARD READER (Not used on TI-58)

<u>DESCRIPTION</u>	<u>PART NUMBER</u>
MOTOR	1014971-0003
MAG HEAD ASY	1015741-0001
MAG HD. ASY	1015741-0002
PRESSUR ROLLER	1014969-0002
SWITCH CONT	1220466-0002
PRESSURE PAD	1014970-0001
HOUSNG UPR CRD	1014967-0001
SWITCH SPRING	1220465-0004
SPRNG MAGHEAD	1014975-0001
CLMP SPRNG CNTR	1014974-0002
SCREW PN H	0418293-0002
INSERT SONIC	1500516-0003
LOWER HOUSNG	1014968-0001
DRIVE ROLLER	1014972-0002
FLEX CABLE	1015749-0002
SWITCH	1501222-0003
PAD RESILIENT	1220815-0001

FINAL ASSEMBLY

<u>DESCRIPTION</u>	<u>PART NUMBER</u>
BTM CASE	1014944-0001
BP 1A BATT. PK	1015767-3950
SR59 CROM DOOR	1014949-0002
SPACER CROM	1015747-0001
SCREW CASE	1501223-1409
TS REP	1014961-5400
SFTWR ASY TI59	1014961-5350

PER PACK

<u>DESCRIPTION</u>	<u>PART NUMBER</u>
WINDOW	1014945-0003
TOPPER	1014946-0001
BEZEL	1014951-0003
BAG PLAST	1220009-0001
BLACK FEET	1020093-0002
DIAG CARD	1014956-0003

FINAL ASSEMBLY

<u>DESCRIPTION</u>	<u>PART NUMBER</u>	
AC 9131A	1501119-0001	
MANUAL	1014983-0005	
CHARGE CAR	1015756-0001	
EXCHANGE LETTER	1500936-0010	
POUCH	1014950-0001	
BOX TOP	1014964-0001	
MANUAL	1014984-0021	
CODING FORMS	1014966-0001	
HD CLN CRD	1014956-0001	} TI-59 only
BLANK CRDS	1014956-0002	
CRD RLR CLN	1015740-0001	
CASE	1014953-0001	
ENVELOPE	1014977-0002	
STUFFER	1501213-0001	
OVERLAY	1015009-0002	
OVERPK BOX	1010762-0102	
CARD, PROG. LIB.	1014978-0001	
ACC. PACK	1015754-0000	
MANUAL	1015755-0011	
BAG POLY	1220813-0001	
CUST. INFO CARD	1501301-0030	
PRODUCT BULLETIN	1015752-0001	
TAPE POLY	1210162-0001	
INSERT	1019298-0001	

TOP CASE ASSEMBLY

<u>DESCRIPTION</u>	<u>PART NUMBER</u>
TOP CASE	1014943-0001
KEYSET NUMERIC	1014372-0001
KEYSET FUNCTION	1014371-0001
KEY SET COMPLX	1014415-0002
KEY 2ND	1014948-0001
KEY CLR	1014948-0003
KEYSET ABCDE	1014947-0001
PAD RESILIENT	1220476-0001
SCREW MECH.	1501223-1205
TS REP	1014961-4090

TI-58 UNIQUE PARTS

<u>DESCRIPTION</u>	<u>PART #</u>
PWB	1014957-0006 (Do <u>not</u> use -0007)
WIRE	1500708-0023
WIRE	1500708-0021
WIRE	1500708-0022
TOP CASE	1014943-0002
BEZEL	1014951-0004